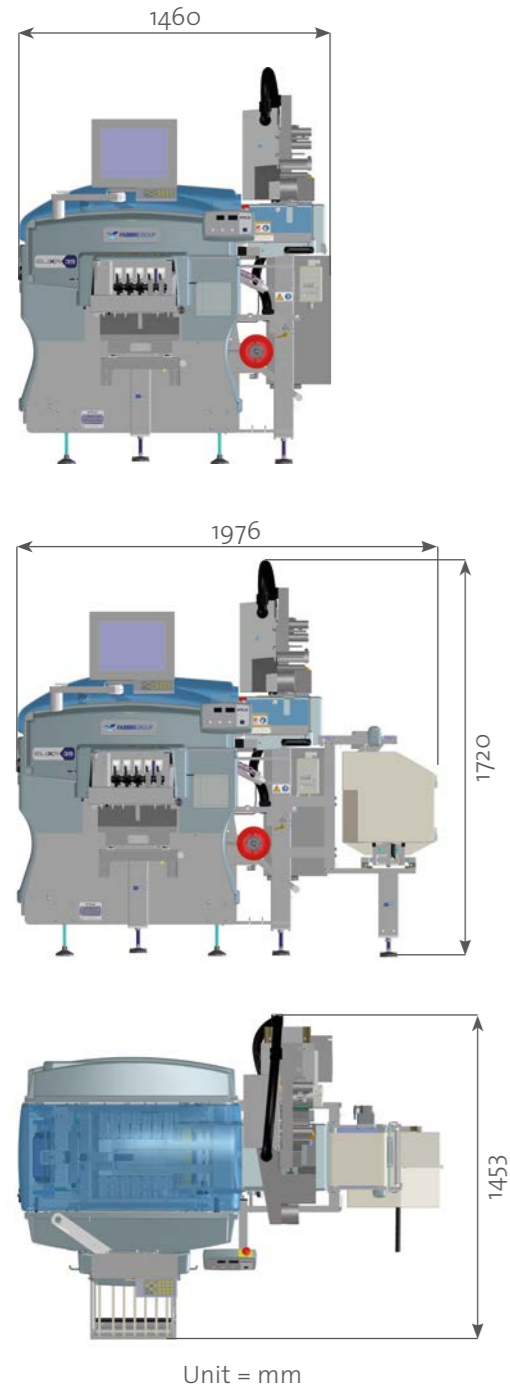


Elixa Libra from Fabbri Group provides you with a range of Elixa packaging machines and integrated Weigh-Price- Labelling solutions to cater to your needs for space and performance. *Elixa Libra* is recommended for in-store packaging applications and small to medium sized packaging centres. Please ask our sales representative for more information on *Elixa Libra* (sales@gruppofabbri.com).

Dimensions



Datasheet

General

- Performance Up to 35 ppm (wrap only)
- Direction Left to right
- Operating mode Wrap and label, Wrap only, Label only
- Label position Top & Bottom
- Display 15" TFT colour touch screen
- Interfaces USB, Ethernet TCP/IP, RS 232, Parallel
- Power source 230 V, 50/60 Hz

Wrapping

- Film type Stretch PVC or PE film
- Film width 280 mm
- Core diameter 111 mm, 76 mm
- Min. pack size 120 x 100 x 10 mm (L x W x H)
- Max. pack size 340 x 230 x 160 mm (L x W x H - All 3 max. tray sizes cannot be achieved simultaneously)

Weighing

- Scale capacity Max 6kg
- Scale interval e = 2 g

Labelling

- Labeller 1 top labeller, 1 bottom labeller
- Label position Configurable also from monitor software
- Min. label size 37 x 30 mm
- Max label size 104 x 170 mm (Top)
104 x 150 mm (Bottom)
- Label reel core 76 mm
- Max label reel outside diameter 210 mm

Printing

- Max print. speed 250 mm/s (Top); 175 mm/s (Bottom)
- Max print width 104 mm
- Technology Thermo-direct
- Resolution 12 dots/mm, 300 dpi
- Compressed air Not necessary

Main options

- Apparatus printed film
- Infeed extension
- Outlet conveyors
- Special trays modules

Fabbri Group provides quick and efficient technical assistance with a team of qualified and multilingual professionals across the globe. Please check our website for your nearest Service Centre (gruppofabbri.com).

DISCLAIMER: The content and information provided in this brochure are intended for general marketing purposes, therefore no subject (person or company) must consider them exact or complete. Gruppo Fabbri Vignola S.p.A., its company organisations, managers, officials, employees, agents and consultants will not be held liable (including liability resulting from error or negligence, without any limitation) for any direct or indirect loss, damage, cost or obligation which could have been suffered resulting from the use or reliance on that contained or omitted in this brochure. Gruppo Fabbri Vignola S.p.A. reserves the right to modify the specifics of its products without any prior notice. For further technical or economical information, please contact the Gruppo Fabbri Vignola S.p.A. Sales Department.

Weigh, Wrap, Label... All on Board!

ELIXA 35 LIBRA
EN



Fabrizi Group is presenting *Elixa 35 Libra* as the ready-to-use solution for Wrap-Price-Weigh and Label in the Retail and Food Industry. The Elixa wrapping technology is based on a single reel width (280 mm) for all tray sizes and has been designed to fit on a 1,5 m² footprint for backstore packaging operations. This technology is now completed with on board Weigh-Price-Labeling solutions for Top and Bottom labels. In close collaboration with Espera, *Elixa 35 Libra* fulfills all today's requirements for label configuration and barcoding, weighing and data management integration into the customer's backoffice. Fabrizio Group provides exclusive and comprehensive support for the complete installation, integration and service management of *Elixa 35 Libra*.

AUTOMATIC Intuitive Versatile

Maximum OPERATOR SAFETY

Best possible PACK APPEARANCE



Elixa 35 Libra:

- Max operator safety
- Reliable and solid
- Automatic tray recognition
- Automatic weighing system
- Easy cleaning
- Technical service 360°



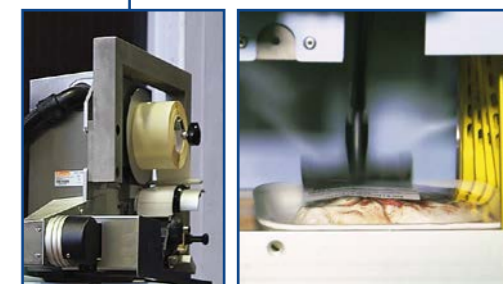
Extra-stretch patented technology:

- 1 size roll (280 mm) for all trays
- Quick & simple film loading
- Optimised film consumption for extra savings
- PVC & PE compatible



Central Machine Management Interface:

- Handy key-pad
- 15" colour touch-screen
- User-friendly software
- PC-based architecture
- Network connectivity
- Remote data management
- Remote service
- User on-line help
- Integrated label designer
- Integrated barcode designer



Fully Integrated Weigh-Wrap-Label System:

- Top & Bottom labelling options
- Fully compatible with pre-printed colour labels
- No compressed air needed
- Labelling application arm for optimised labelling on all surfaces
- Packaging & labelling speeds up to 32 ppm



Elixa 35 Libra labelling options:

Thank you for your purchase!

FABBRIGROUP

CHICKEN BURGERS
The finest, healthiest, tastiest pre-cooked meat!

INGREDIENTS: 80% Chicken, Pea Flour, Water, Sun Dried TOMATOES (4%), Basil, Garlic, Salt, Rice Flour, Leek Powder, Sugar, Spice, Preservative (Sodium SULPHITE), Yeast Extract, Natural Flavouring, Citric Acid, Spice Extracts Antioxidants (Ascorbic Acid, Herb Extracts)

ALLERGY ADVICE: See ingredients in **BOLD**

PACKAGING: Product packaged in a protective atmosphere
EATING: To be consumed after thorough and accurate baking
COOKING TIPS: Try 'em out with a fresh, crunchy lettuce, tomatoes and capers salad, thai rice with vegetables and a creamy mushroom sauce!
>> See more on gruppoFabrizi.com/chickburgs >>

STORAGE INSTRUCTIONS: Keep cool (0° - 4°C); consume within 24 hrs after opening

Produced and packaged in Italy by GFV S.p.A., Via per Sassuolo 1863, Vignola (MO)

Nutritional Info	Per 100 g (grilled)	Per Burger (grilled)
Energy	448 kJ/106 kcal	511 kJ/121 Kcal
Fat	2.3 g	2.6 g
of which saturates	0.4 g	0.5 g
Carbohydrate	1.5 g	1.7 g
of which sugars	1.5 g	1.7 g
Protein	18.7 g	21.3 g
Salt	1.9 g	2.2 g

BORN IN: Italy
BRED IN: Italy
SLAUGHTERED IN: Italy
CUT IN: Italy (Emilia-Romagna)
LOT CODE: 132920

LOT OF PRODUCTION: 7288295296
BEST BEFORE: 11.10.2016

TARE KG 0.014
NET WEIGHT 0.400 Kg e

€/KG 6.325
€ 2.53

IT 9628 CE

9 437201 378224



Patented 4-direction film stretching system for outstanding pack appearance with most common available trays

A product realised in co-operation with **ESPERA-WERKE GmbH**



All warranty, installation, service provided only by **Gruppo Fabrizio** certified engineers.

