

## AUTOMAC 75 AND AUTOMAC 95

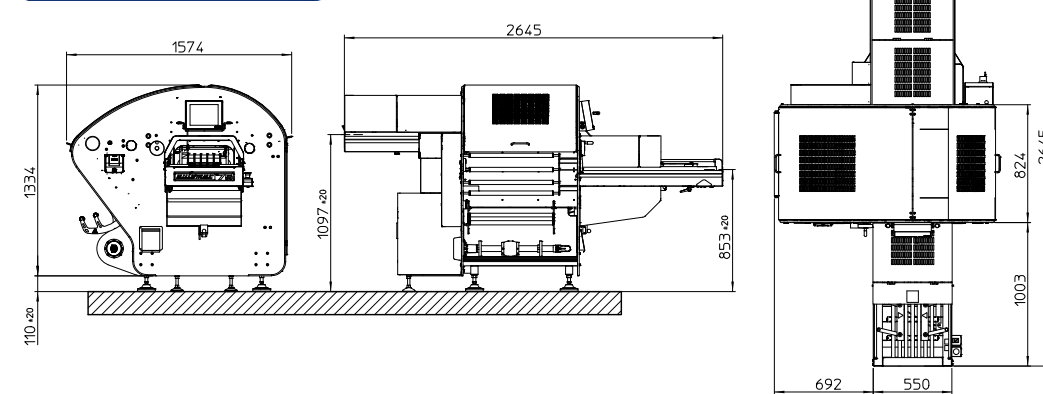
*Automac 75 and Automac 95* are Gruppo Fabbri's answer to the increasingly pressing demands for improved performances from packaging centres and industrial production lines. Evolution in technical, functional and aesthetic terms, of *Automac 55 Più*, with the same footprint they increase performance in terms of strength, durability and reliability, maintaining flexibility in the format change and raising the maximum speed of packaging up to 75 or 90 packs per minute respectively.

The new touch-screen monitor, furthermore, allows you interacting with the machines quickly and easily, facilitating packing and maintenance operations.

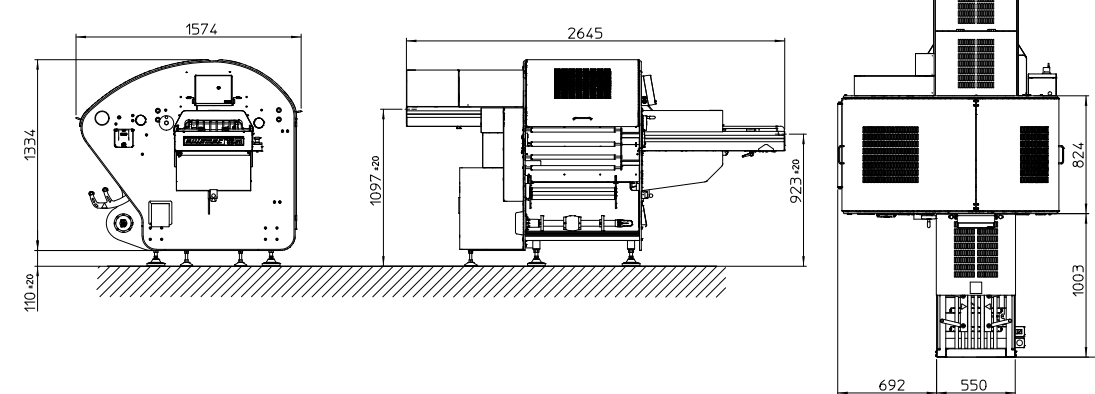
The sleek, elegant lines of *Automac 75* and *Automac 95*, made entirely of stainless steel and aluminium, cover an advanced film unwinding and tensioning system, ensuring a perfect print centring and a smooth and fast packaging process.

Designed with attention to details and the needs of the operator, *Automac 75* and *Automac 95* position themselves at the top of currently in force safety standards and offer a comfortable and protected work area.

**automac 75**



**automac 95**



Faster Generation

## AUTOMAC 75 & AUTOMAC 95

EN



Main characteristics	
<b>Fast and faster</b>	Both <b>high-speed automatic stretch machines</b> , <i>Automac 75</i> and <i>Automac 95</i> differ first of all in production performance: while <i>Automac 75</i> reaches <b>75 ppm</b> , <i>Automac 95</i> offers discerning clients a maximum speed of <b>90 ppm</b> . These parameters are <b>adjustable</b> according to the specific requirements of production.
<b>Brilliant!</b>	<i>Automac 75</i> and <i>Automac 95</i> are entirely built of <b>stainless steel and aluminium: sturdy, durable... and beautiful too!</b>
<b>Always perfectly in line</b>	<i>Automac 75</i> and <i>Automac 95</i> can be equipped with infeed extensions, exit conveyors, photocells and connections aimed at the best <b>integration in line</b> with other machinery, both inbound and outbound.
<b>Plug 'n' Pack</b>	<i>Automac 75</i> and <i>Automac 95</i> are powered by <b>400 V</b> with no need for compressed air: <b>easy</b> to connect, <b>quiet</b> to use.
<b>Practical, functional, hygienic</b>	Periodic cleaning and regular maintenance of <i>Automac 75</i> and <i>Automac 95</i> are appreciably facilitated by <b>8 access points</b> to the internal parts of the machine, such as, in particular, the <b>sliding safety-guard</b> above the conveyor belt, useful for a timely removal of the product, the <b>ejector</b> and the <b>lifter</b> , quickly removable and washable by themselves, and the <b>gullwing opening safety-guards</b> that is particularly appreciated even in cases where the available space is reduced. Under the lift, furthermore, there is nothing: this ensures the maintenance of <b>perfect hygiene in production</b> and facilitates extremely the <b>cleaning operations</b> .
<b>Film, trays, products... No problem!</b>	Thanks to the many dedicated optional devices <i>Automac 75</i> and <i>Automac 95</i> can ensure the perfect wrapping of any tray, regardless of shape, size or material, and the type of film used, plain or printed. Specifically, the <b>upper self-adjusting ejector</b> allows maintaining a high packaging speed even in the presence of <b>high trays</b> (up to <b>200 mm</b> with <i>Automac 75</i> ) or with.
<b>Non-stop production</b>	With only <b>45"</b> required for the reel change, <i>Automac 75</i> and <i>Automac 95</i> promise an almost constant production rate. The optional <b>support for a second reel</b> , moreover, can further reduce this time bringing it under <b>30"</b> .
<b>Everything under control</b>	Thanks to the <b>new control panel with touch-screen monitor</b> , <i>Automac 75</i> and <i>Automac 95</i> offer up to <b>29 different editable programs</b> for wrapping, to meet the production needs of each client. The <b>integrated diagnostic system</b> , furthermore, lets you quickly find and fix any faults.
<b>Vivid colours, flawless packaging</b>	Anyone willing to exploit the communication potentialities of packaging finds in <i>Automac 75</i> and <i>Automac 95</i> two excellent solutions. <i>Automac 75</i> and <i>Automac 95</i> are able to work at <b>high-speed</b> even with printed films, thus reuniting <b>branding and efficiency</b> in just one manufacturing process. Thanks to the brilliant combination of <b>printed stretch films</b> of Gruppo Fabbri, a <b>new film unwinding and tensioning system</b> and the <b>sealing belt on the exit</b> , designed to optimize film sealing without overheating, <i>Automac 75</i> and <i>Automac 95</i> produce always perfect packages, where the freshness of the product, held firmly in place on the tray, shines through and is exploited in the best possible way.
<b>Automac: A class!</b>	In the absence of products to be packaged, <i>Automac 75</i> and <i>Automac 95</i> automatically switch to <b>stand-by</b> mode: this drastically reduces <b>power consumption</b> and <b>mechanical wear</b> , prolonging the <b>life cycle</b> of the machine.
<b>Definitely reliable</b>	<i>Automac 75</i> and <i>Automac 95</i> have been designed in compliance with the strictest <b>safety</b> regulations: accessing internal parts is regulated by the <b>microswitches</b> of the machine inspection safety-guards, which block any operation in case of opening. The <b>rounded design</b> and the <b>lack of sharp edges</b> minimise the consequences of accidental impact.



New touch-screen monitor, up to 29 editable programmes



Various optional devices for maximum line integration



Optimised film unwinding and tensioning system



Perfect print centring even at high speeds



Full access to the internal parts of the machine



Maximum solidity and safety with rounded stainless steel safety guards

**90** Maximum speed: up to 90 packages per minute for *Automac 95* (75 ppm for *Automac 75*).

**180** Min tray format (L x W x H mm). With A lifter 180 x 180 x 10

**400** Max tray format (L x W x H mm). With A lifter 260 x 400 x 200\*

**120** Min tray format (L x W x H mm). With E lifter 120 x 120 x 10

**320** Max tray format (L x W x H mm). With E lifter 230 x 320 x 200\*

**6** Max wrappable weight: 6 kg

Optional devices
Extended in-feed conveyor up to 6 m
Anti-static in line roller exit conveyor
Photocell for client belt and product exit control
Automatic movement of the carriage
Photocell for printed film centering
Support for second reel
America lifter
Side film clamp device
90° or 180° right or left exit conveyor
Remote assistance
Other optional features upon request

**330** Min reel width: 330 mm

**550** Max reel width: 550 mm

**29** Wrapping programmes available

**45** Reel change time: 45"

**400** Supply voltage: 400 V three-phase

**750** Machine weight: 750 kg

\*It is not possible to achieve the three maximum dimensions of the tray at the same time.

Gruppo Fabbri Vignola guarantees quick, efficient and widespread technical assistance, thanks to a team of qualified and multi-lingual professionals, always at the disposal of customers. **DISCLAIMER:** The content and information provided in this brochure are intended for general marketing purposes, therefore no subject (person or company) must consider them exact or complete. Gruppo Fabbri Vignola S.p.A., its company organisations, managers, officials, employees, agents and consultants will not be held liable (including liability resulting from error or negligence, without any limitation) for any direct or indirect loss, damage, cost or obligation which could have been suffered resulting from the use or reliance on that contained or omitted in this brochure. Gruppo Fabbri Vignola S.p.A. reserves the right to modify the specifics of its products without any prior notice. For further technical or economical information, please contact the Gruppo Fabbri Vignola S.p.A. Sales Department.

